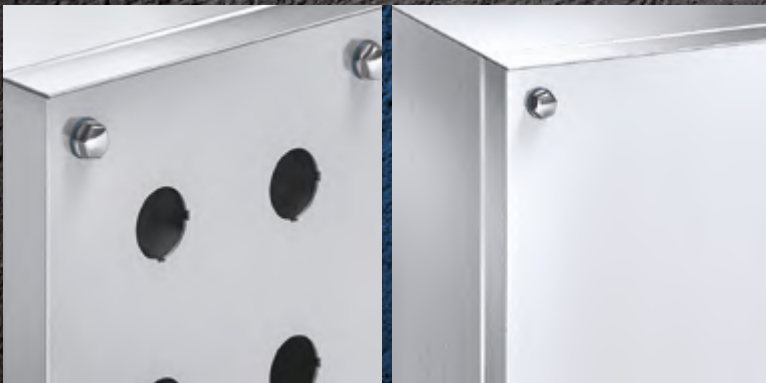


MADE  
FOR



APN AND ADN  
THE NEW PUSH  
BUTTON BOXES AND  
TERMINAL BOXES

EN



**WAGNER GMBH**  
Elektrotechnische Systemlösungen

Robert-Bosch-Straße 35  
42489 Wülfrath  
T 02058 - 78 28 00 - 0

F 02058 - 78 28 00 - 49  
info@wagnergmbh.de  
www.wagnergmbh.de

**IRINOX**  
Inside your needs

# THE NEW PUSH BUTTON BOXES AND TERMINAL BOXES

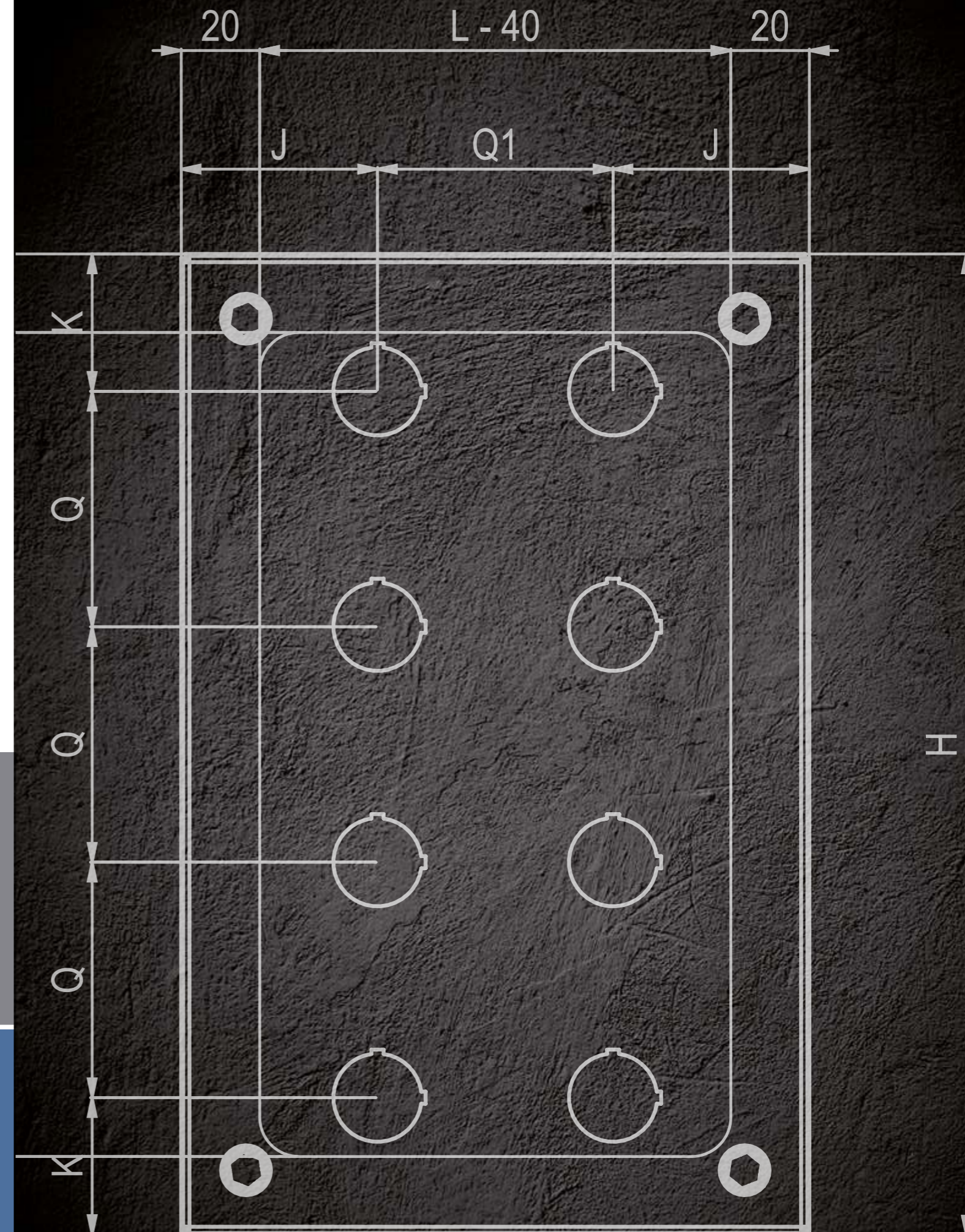
- PUSH BUTTON BOX
- 4 APN MODEL
- TERMINAL BOX
- 8 ADN MODEL
- 12 ACCESSORIES

## TECHNICAL ADVANTAGES

Silicone gasket easily removable for washing or replacement.

Silicone gasket and o-rings fitted as standard suitable for use in the food environment, FDA compliant.

Provided with an added o-ring kit for environments where hydrocarbons resistance is required.



## PUSH BUTTON BOX APN MODEL




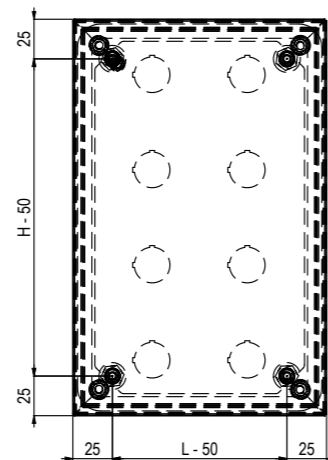
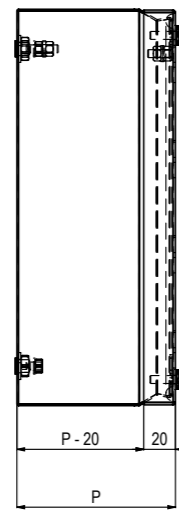
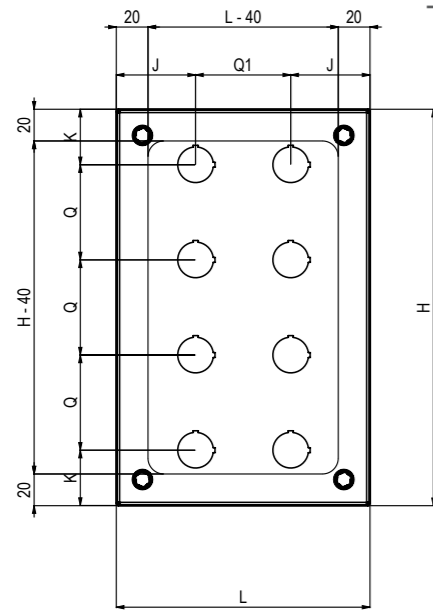
Push button box in AISI 304 (Wnr 1.4301) stainless steel.  
Ideal for use in the most demanding industrial sectors thanks to the positioning of the gasket inside the lid that allows it to be exposed to even the most aggressive and burdensome environments.

Fitted as standard with o-ring kit that exceed the compliance requirements of regulatory standards of the food industry. Supplied with a o-ring kit for use on applications in an environment resistant to hydrocarbons.

Pre-drilled lid. Internal plate not included.

Degree of protection IP66, IP67 and IP69K, UL certified.

On request also ATEX .



L = W (width)  
H = H (height)  
P = D (depth)

### TECHNICAL DATA

Door drill size	W - 40 mm (1.57") H - 40 mm (1.57")
Usable depth	D - 15 mm (0.59")
Centre to centre distance H - 30 mm (1.18") for models between fixing holes M5	APH 9 9 / 9 14 / 9 20 / 9 28 H - 50 mm (1.97") for all other models
Minimum dimensions	90 mm x 90 mm x 90 mm
Maximum dimensions	500 mm x 500 mm x 200 mm



PUSH BUTTON  
APN MODEL.

EQUIPPED WITH O-RING KIT  
FOR USE ON ENVIRONMENTAL  
APPLICATIONS RESISTANT TO  
HYDROCARBONS.

ATEX CERTIFIED ON REQUEST.

IP66, IP67 AND IP69K  
DEGREES OF PROTECTON

UL CERTIFIED.

### TECHNICAL DESCRIPTION

<b>Type of steel:</b> AISI 304 (Wnr 1.4301) Scotch-brite
<b>Thickness:</b> from 1 to 1.5 mm according to the model dimensions
<b>Back fixing:</b> M5 bushings
<b>Gasket:</b> silicone
<b>Cover fixing:</b> 4 screws*
<b>Internal mounting plate:</b> not included
<b>Cover:</b> drilled
<b>Holes:</b> Ø 22,5 mm

\* if L > 400 1 screw must be added per side,  
if H > 400 1 screw must be added per side (600x600 will have 8 screws)

### CUSTOMIZATION POSSIBILITIES

Dimensions: adaptable on request\*

Thickness: adaptable on request\*

Material: AISI 316L (Wnr 1.4404)

Finishes: SN Coarse brushed\*

Back fixing: studs

\* Check when placing order

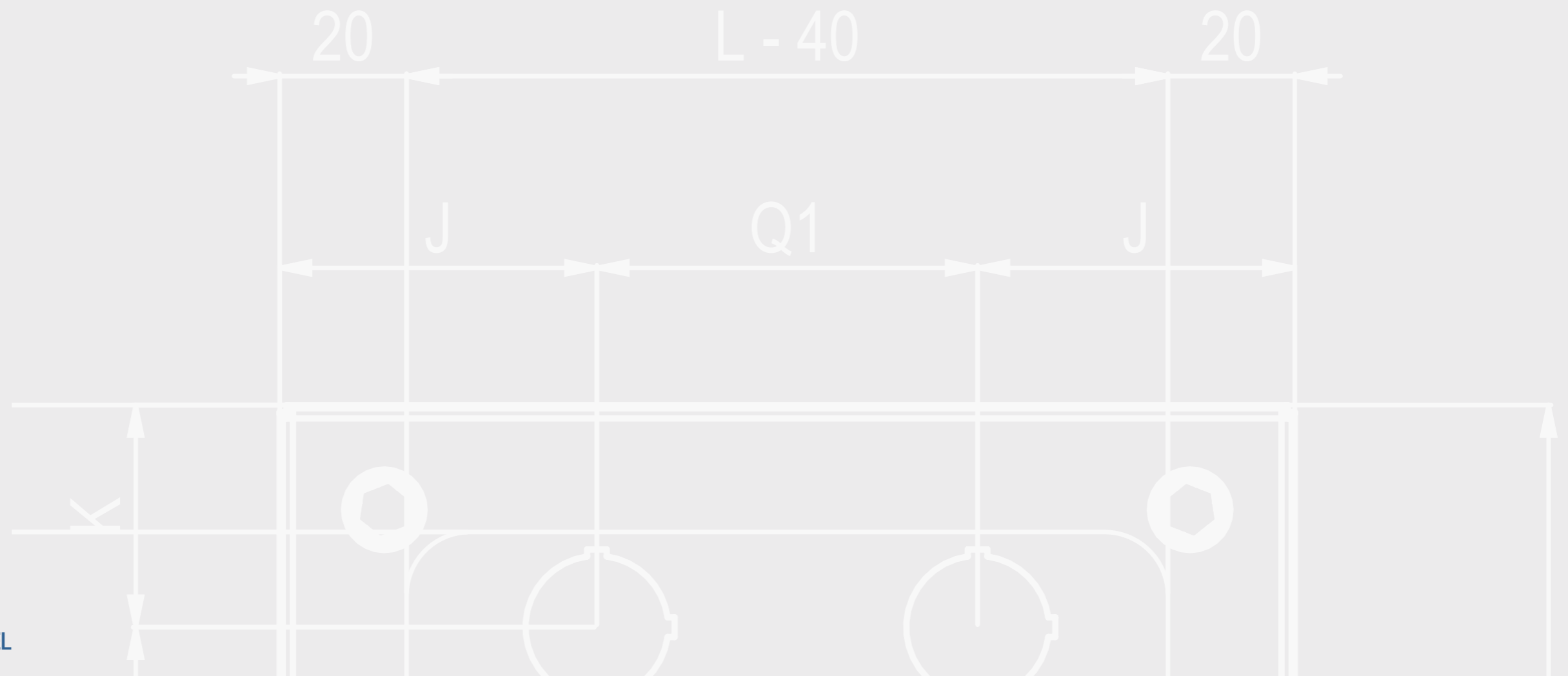
### CERTIFICATIONS

IP66, IP67, IP69K, ATEX zona 2GD e 3GD\*, UL type 1-12-4-4x

\* on request

### ON REQUEST

FeZn or stainless steel internal mounting plate



PUSH BUTTON BOX **APN MODEL**

Model	Code	External dimensions			Kg*	J	Q/Q1	K	No. holes per row	Centre to centre distance between rear bushings		No. Bushing	No. Closing points	Door drill size		Working depth	Certifications				Model
		W	H	D						W	H			W	H		D	IP 66 / IP67 / IP 69K	UL type 1,12,4,4x	FDA	
APN 9 9	APN090090090001	90	90	90	0,56	45	X	45	1		60	2	4	50	50	67	√	√	√	on request	APN 9 9
APN 9 14	APN090140090001	90	140	90	0,74	45	60	40	2		110	2	4	50	100	67	√	√	√	on request	APN 9 14
APN 9 20	APN090200090001	90	200	90	0,95	45	60	40	3		170	2	4	50	160	67	√	√	√	on request	APN 9 20
APN 9 28	APN090280090001	90	280	90	1,24	45	60	50	4		250	2	4	50	240	67	√	√	√	on request	APN 9 28
APN 16 16	APN160160100001	160	160	100	1,34	50	60	50	2x2	110	110	4	4	120	120	77	√	√	√	on request	APN 16 16
APN 16 25	APN160250100001	160	250	100	1,84	50	60	35	4x2	110	200	4	4	120	210	77	√	√	√	on request	APN 16 25
APN 20 20	APN200200100001	200	200	100	1,83	70	60	40	3x2	150	150	4	4	160	160	77	√	√	√	on request	APN 20 20


\* Net weight without packing material

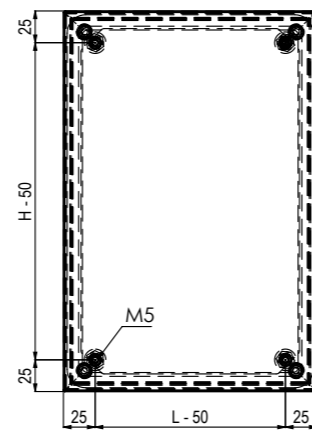
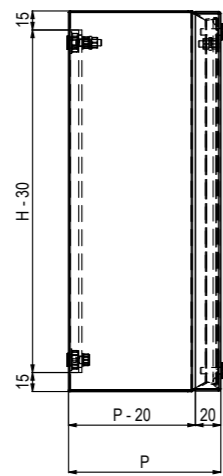
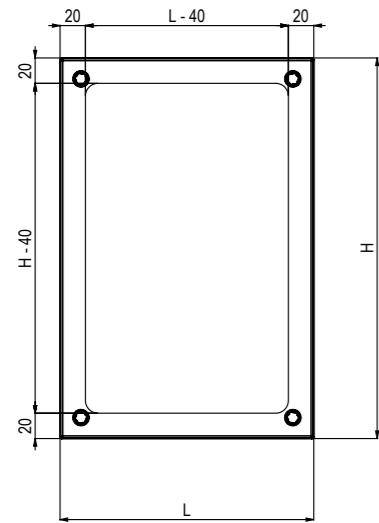
## TERMINAL BOX ADN MODEL



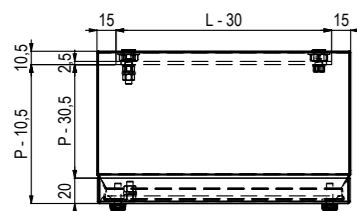
Terminal Box in stainless steel AISI 304 (Wnr 1.4301) ideal for use in the most demanding industrial sectors thanks to the positioning of the gasket inside the lid that allows it to be exposed even to the most aggressive and demanding environments.

Fitted as standard with o-ring kit that exceed the compliance requirements of regulatory standards of the food industry. Supplied with a second o-ring kit for use on applications in an environment resistant to hydrocarbons.

Pre-drilled lid. Internal plate 25/10 FeZ starting from models above L-100 P-100. Degree of protection IP66, IP67, IP69K, UL certified. On request also ATEX .



L = W (width)  
H = H (height)  
P = D (depth)



### TECHNICAL DATA

Door drill size	W - 40 mm (1.57") H - 40 mm (1.57")
Usable depth	D - 15 mm (0.59")
Centre to centre distance	H - 30 mm (1.18") for models between fixing holes M5 ADH 9 9 / 9 14 / 9 20 / 9 28 H - 50 mm (1.97") for all other models
Minimum dimensions	90 mm x 90 mm x 90 mm
Maximum dimensions	500 mm x 500 mm x 200 mm



### TERMINAL BOX MODEL ADN

M5 BUSHINGS FOR FIXING  
OR SUPPORTING THE  
INTERNAL PLATE.

ATEX CERTIFIED ON REQUEST.

### TECHNICAL DESCRIPTION

<b>Type of steel:</b> AISI 304 (Wnr 1.4301) Scotch-brite
<b>Thickness:</b> 1 to 1.5 mm according to model dimensions
<b>Back fixing:</b> M5 bushings
<b>Gasket:</b> silicone
<b>Cover fixing:</b> 4 screws*
<b>Internal mounting plate:</b> 25/10 FeZn included**
<b>Cover:</b> solid

\* Comes as standard with 4 hex screws + 4 slotted screws supplied loose

\*\* Starting from models above L-100 P-100

### CUSTOMIZATION POSSIBILITIES

Dimensions: adaptable on request\*

Thickness: 1.5 mm\*

Material: AISI 316L (Wnr 1.4404)

Finishes: SN Coarse brushed\*

Back fixing: studs

\* Check when placing order

### CERTIFICATIONS

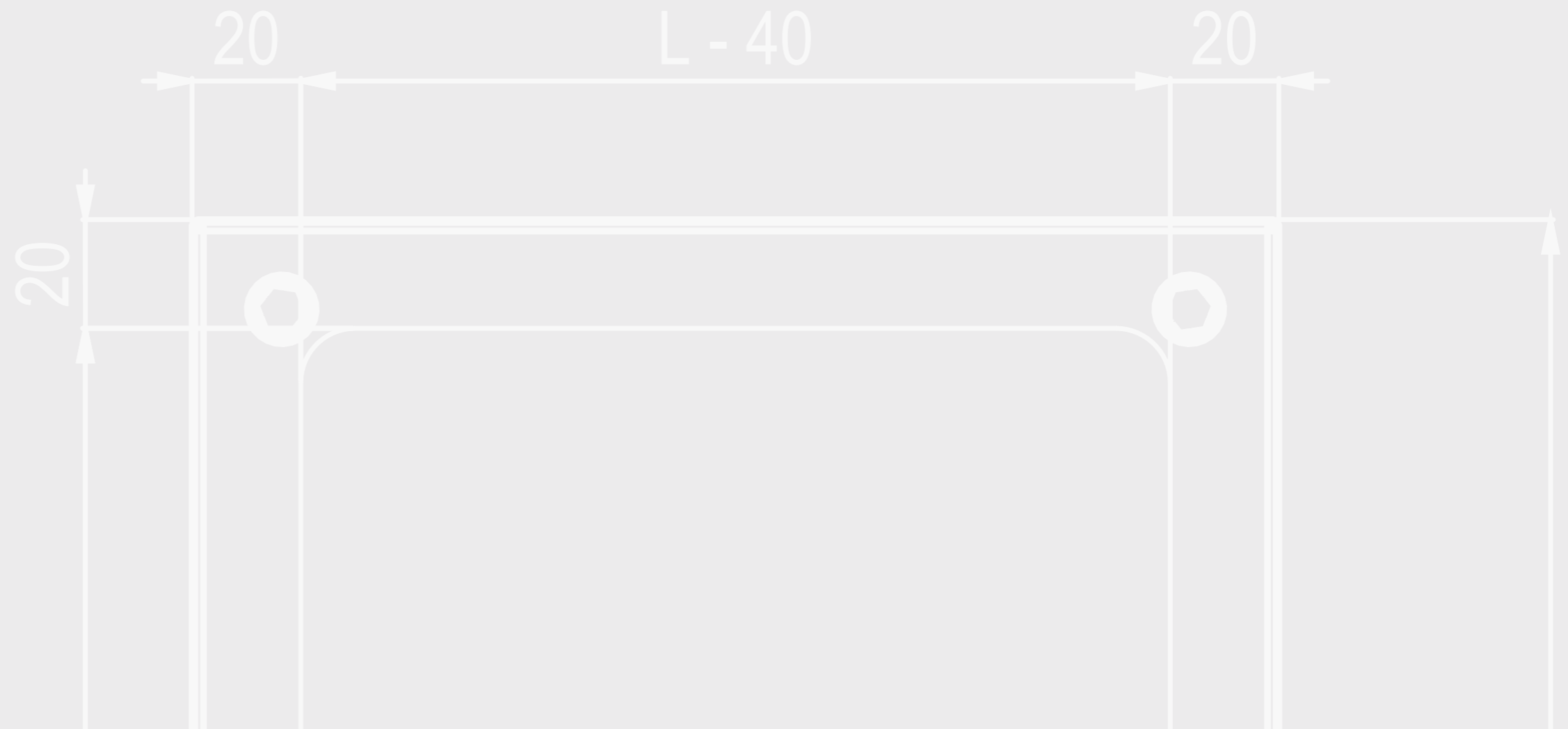
IP66, IP67, IP69K, ATEX zona 2GD e 3GD\*, UL type 1-12-4-4x

\* on request

### ON REQUEST

Stainless steel internal mounting plate





TERMINAL BOX **ADN MODEL**

Model	Code	External dimensions			Kg*	Mounting Plate dimensions		Centre to centre distance between rear bushings		No. Bushing	No. Closing points	Door drill size		Working depth	Certifications				Model
		W	H	D		W	H	W	H			W	H		D	IP 66 / IP67 / IP 69K	UL type 1,12,4,4x	FDA	
ADN 9 9	ADN090090090001	90	90	90	0,56				60	2	4	50	50	67	√	√	√	on request	ADN 9 9
ADN 9 14	ADN090140090001	90	140	90	0,75				110	2	4	50	100	67	√	√	√	on request	ADN 9 140
ADN 9 20	ADN090200090001	90	200	90	1,18				170	2	4	50	160	67	√	√	√	on request	ADN 9 200
ADN 9 28	ADN090280090001	90	280	90	1,57				250	2	4	50	240	67	√	√	√	on request	ADN 9 28
ADN 10 10	ADN100100100001	100	100	100	0,78	70	85		70	2	4	60	60	77	√	√	√	on request	ADN 10 10
ADN 10 16	ADN100160100001	100	160	100	1,1	70	145		130	2	4	60	120	77	√	√	√	on request	ADN 10 16
ADN 16 16	ADN160160100001	160	160	100	1,55	130	130	110	110	4	4	120	120	77	√	√	√	on request	ADN 16 16
ADN 16 25	ADN160250100001	160	250	100	2,44	130	220	110	200	4	4	120	210	77	√	√	√	on request	ADN 16 25
ADN 20 20	ADN200200100001	200	200	100	2,2	170	170	150	150	4	4	160	160	77	√	√	√	on request	ADN 20 20
ADN 20 40	ADN200400120001	200	400	120	4,57	170	370	150	350	4	4	160	360	97	√	√	√	on request	ADN 20 40
ADN 30 40	ADN300400120001	300	400	120	6,38	270	370	250	350	4	4	260	360	97	√	√	√	on request	ADN 30 40
ADN 40 40	ADN400400120001	400	400	120	8,1	370	370	350	350	4	4	360	360	97	√	√	√	on request	ADN 40 40

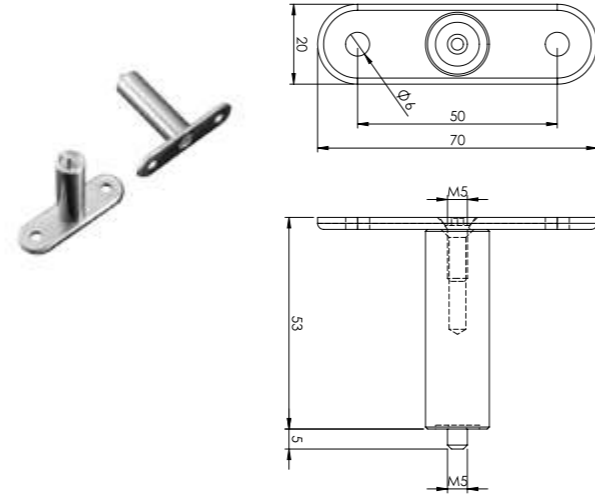
\* Net weight without packing material

A wide range of accessories is available to complete each standard or bespoke model so that all specific needs are met. Some accessories require special machining and their application may change the IP protection rating or influence on certifications. Please specify them when placing an order/enquiry.

## BRACKETS

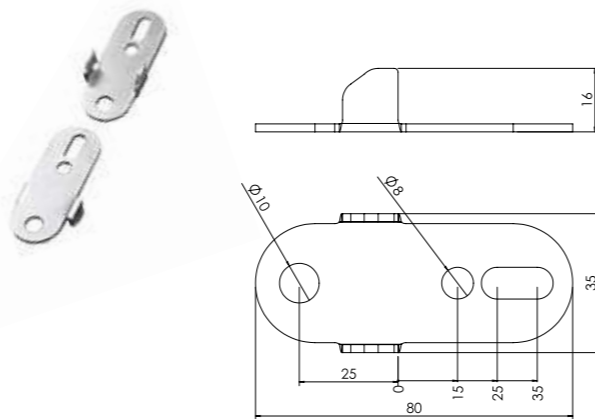
### HYGIENIC WALL SPACERS

Code	Description	APN	ADN
Q4SV00023500195	Hygienic spacers in AISI 304 stainless steel (Wnr 1.4301), for M5 screws. Set of 2 Hygienic wall spacers.	•	•



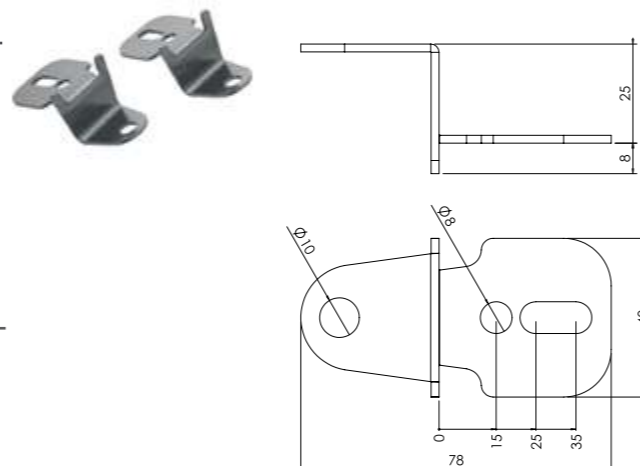
### FLAT WALL BRACKETS

Code	Description	APN	ADN
Q4SV00023500009	Brackets in AISI 304 stainless steel (Wnr 1.4301) to be screwed onto the bushings on the back of the enclosure. Complete with fixing screws. Set of 4 flat brackets.	•	•



### RAISED WALL BRACKETS

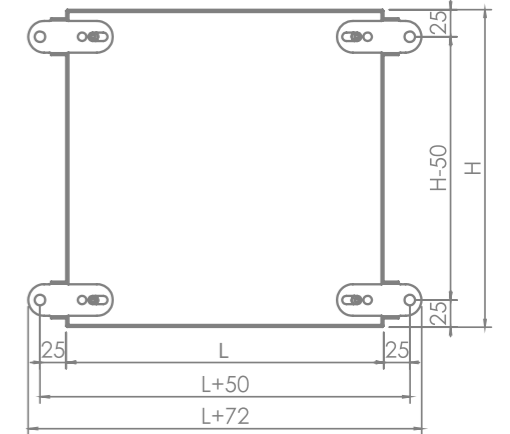
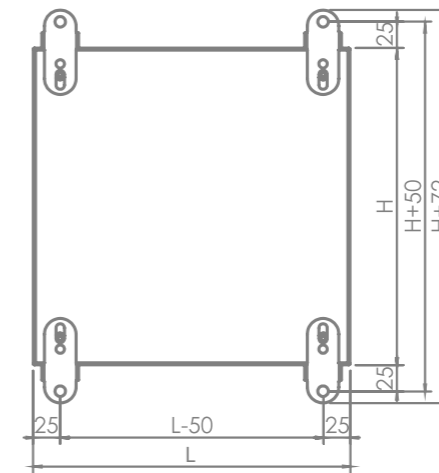
Code	Description	APN	ADN
Q4SV00023500002	Raised wall brackets H=25 mm (0.98") in AISI 304 stainless steel (Wnr 1.4301), to be screwed onto the bushings on the back of the boxes. Complete with fixing screws. Set of 4 raised wall brackets.	•	•



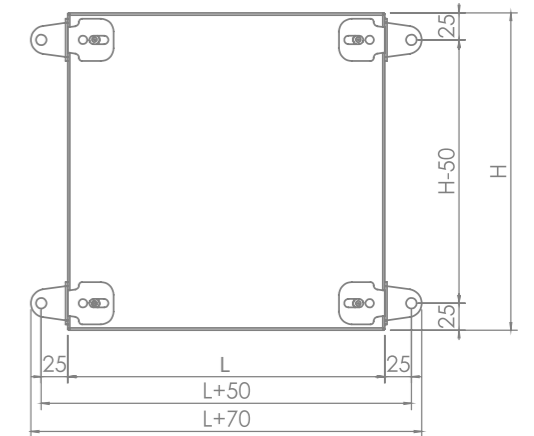
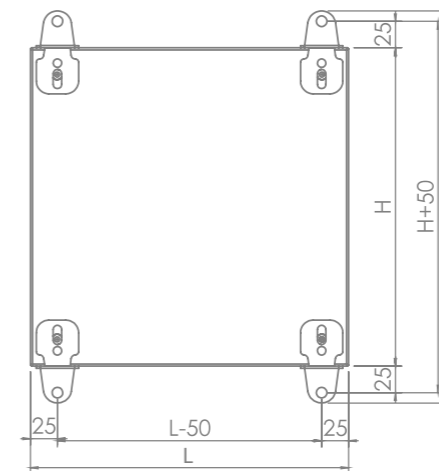
Always specify accessories when placing an order/enquiry.

## Application of the brackets to the enclosure

Application of the FLAT wall brackets to the enclosure



Application of the RAISED wall brackets to the enclosure



Always specify accessories when placing an order/enquiry.

# IRINOX

Inside your needs

## IRINOX SPA

### Head office

Via Madonna di Loreto, 6/B  
31020 Corbanese di Tarzo (TV) - Italy  
Tel: +39 0438 5844 - Fax: +39 0438 5843

### Business offices and manufacturing facilities

Via Caduti nei Lager, 1  
Z.I. Prealpi Trevigiane loc. Scomigo  
31015 Conegliano (TV) Italy  
Tel: +39 0438 2020 - Fax: +39 0438 2023

[quadri.irinox.com](http://quadri.irinox.com)



Irinox® Quadri Elettrici



**WAGNER GMBH**

Elektrotechnische Systemlösungen

Robert-Bosch-Straße 35  
42489 Wülfrath  
T 02058 - 78 28 00 - 0

F 02058 - 78 28 00 - 49  
[info@wagnergmbh.de](mailto:info@wagnergmbh.de)  
[www.wagnergmbh.de](http://www.wagnergmbh.de)

Irinox reserves the right to further developments and technical modifications of its products. Such modifications, along with errors and printing errata, shall not constitute grounds for compensation. We refer customers to our Terms of Sale and delivery.  
ALL RIGHTS RESERVED