



16T-ES19

## Features

- Predestined for public surroundings (vandalism risk), industrial extreme surroundings
- Carbon contact technology
- High operating comfort thanks to our specially developed long-stroke keys
- Keycaps and front panel made of stainless steel
- Almost resistant to the effects of violence
- Key symbols are done by laser etching
- Any layout is possible
- Any customer-specific adaptations can be implemented on request
- Available with or without Front Panel, with backlit keycaps and trackball

## Mechanical Data

- Dimensions of 111 x 111 x 39 mm
- 3,25 mm travel keys with tactile feel
- Operation force 0,65 N
- 16 keys in compact layout
- Ergonomic 15 mm keycaps
- Durability > 10 million ops.
- Storage temperature -40°C - +70°C
- Operation temperature 0°C - +60°C (optional -20°C - +60°C)
- Protection IP65, IK09

## Electrical Data

- Connection options: USB 2.0 or PS/2
- Power supply + 5 V/DC, 50 mA
- 2-key rollover
- Autorepeat
- CE Compliant
- RoHS/Reach Compliant

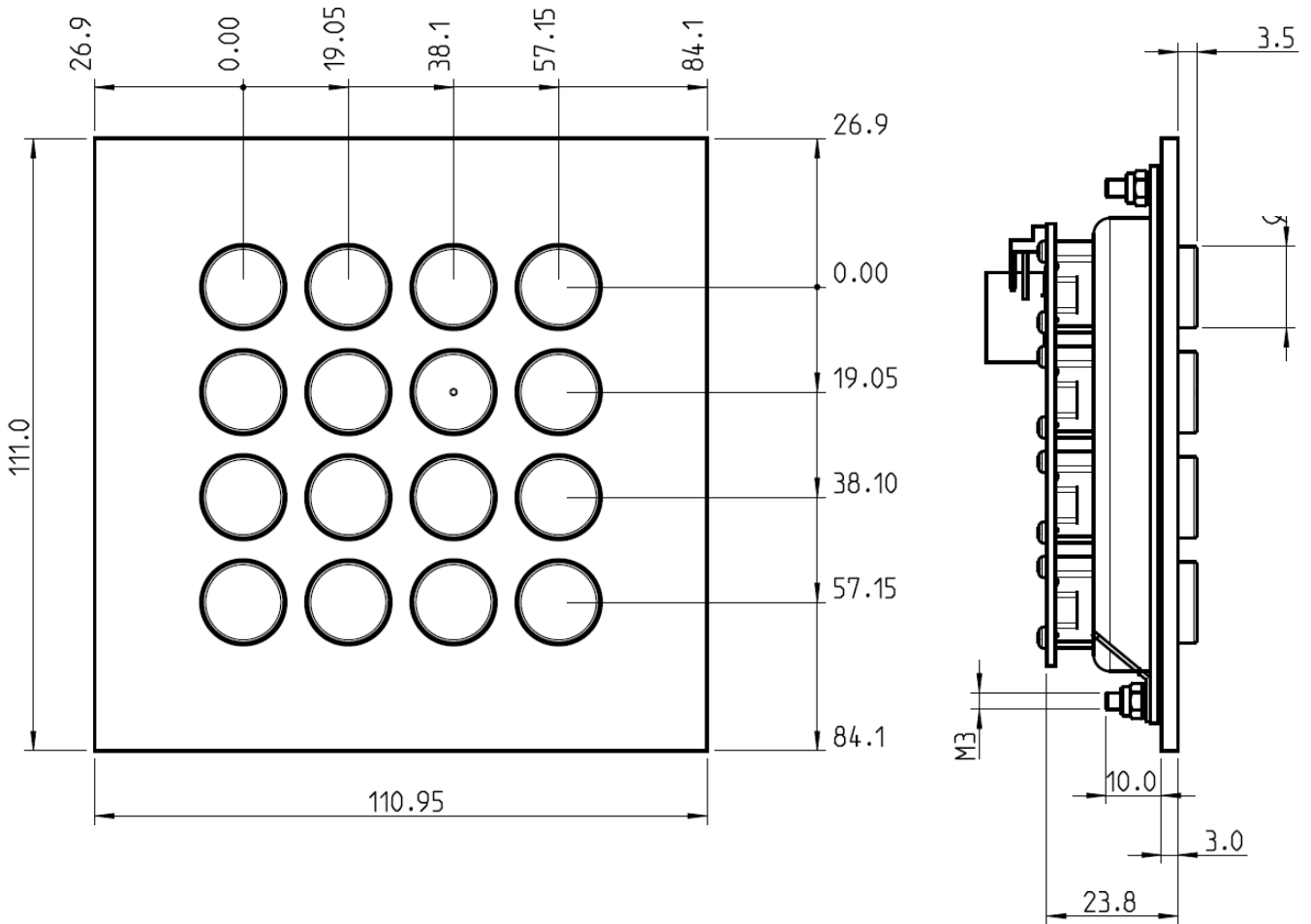
  
control touch trust

 **WAGNER GMBH**  
Elektrotechnische Systemlösungen

Robert-Bosch-Straße 35  
42489 Wülfrath  
T 02058 - 78 28 00 - 0

F 02058 - 78 28 00 - 49  
info@wagnergmbh.de  
www.wagnergmbh.de

# Drawing



# Versions



16T-ES19

- With Front Panel



16T-ES19 EBV

- Without Front Panel



16T-ES19-TB

- With Trackball



16T-ES19-TB-HL6

- With blue backlit Trackball



Robert-Bosch-Straße 35 F 02058 - 78 28 00 - 49  
 42489 Wülfrath info@wagnergmbh.de  
 T 02058 - 78 28 00 - 0 www.wagnergmbh.de