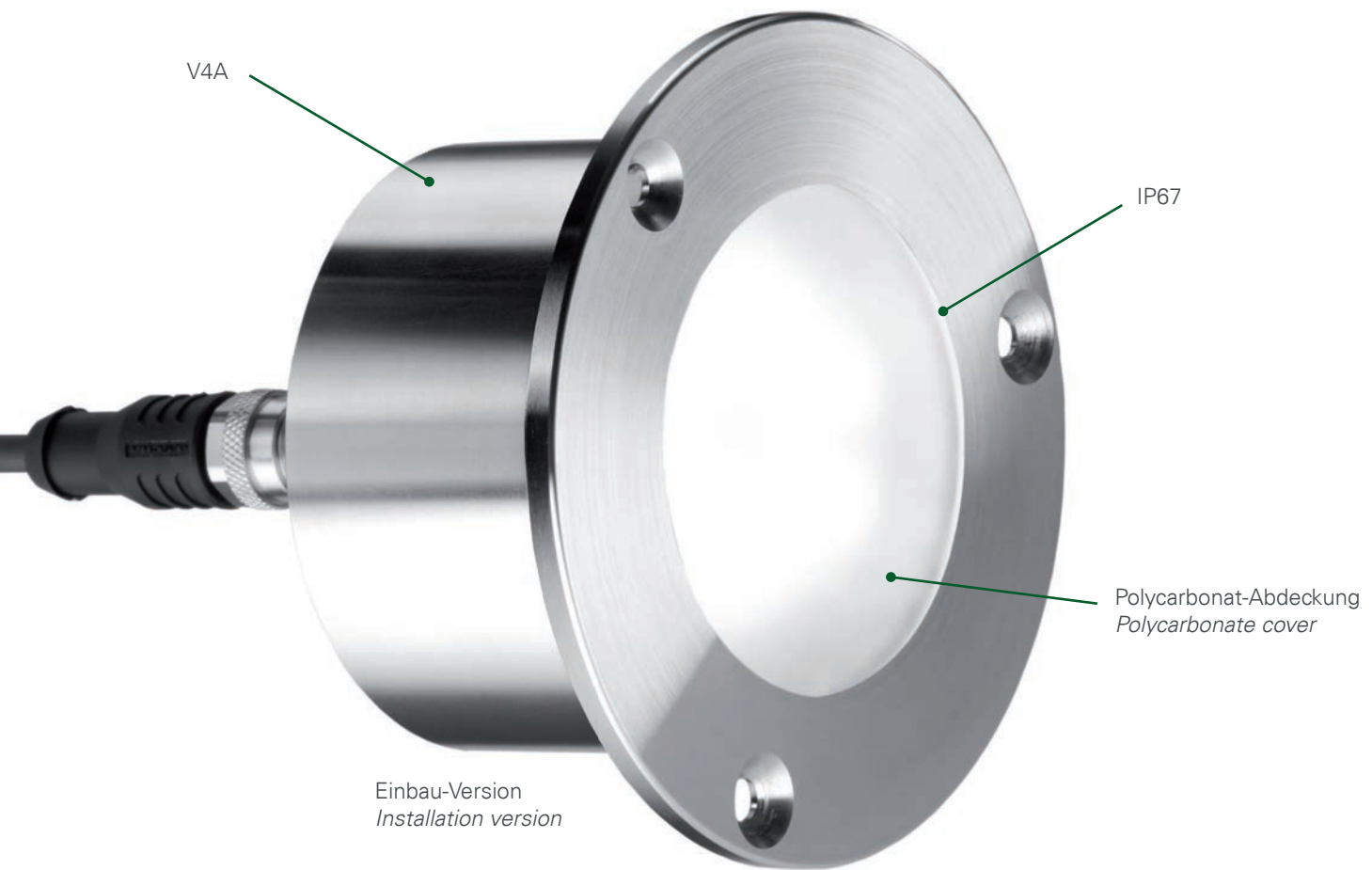
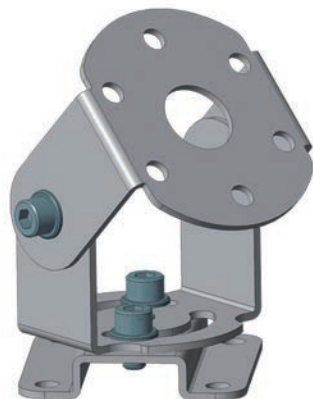


SPOTLED II V4A



Maße Bohrbild 45x45mm | Grundmaß Halteplatte 60x60mm |
Höhe Gelenkwinkel 84mm
*Dimensions drilling pattern 45x45mm | Basic dimensions mounting
plate 60x60mm | Height joint angle 84mm*



V2A 3D Gelenkwinkel
V2A 3D swivel head



